

MST 1-PHASE CONTROL AND ISOLATION TRANSFORMER

P: 1000VA IN: 230/400VAC +/- 15VAC OUT: 2x115VAC

Single-phase - Control and Isolation Transformers
1000 VA
Isolation class T 40/B

[Link to Product](#)**Illustration**

Product may differ from Image

Approvals**Input**

Input voltage	230/400 ±15 V AC
Frequency	50...60 Hz
Inrush current	83 A (230 V AC); 42 A (400 V AC)
Short-circuit current	165 A (230 V AC); 94 A (400 V AC)
Input current	4.6 A (230 V AC); 2.7 A (400 V AC)

Output

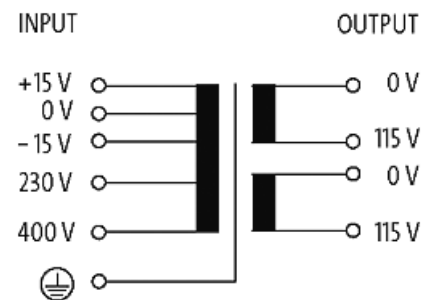
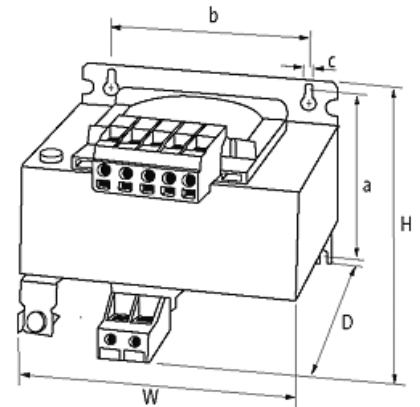
Output voltage	1 × 230, 1 × 115, 2 × 115 V AC
Output rating	1000 VA

General data

Standards	EN 61558-1, EN 61558-2-4, EN 62041 category 0
Test isolation voltage	5.8 kV (prim./sec.)
Temperature range	-20...+40 °C, no condensation
Dimensions H×W×D	156×150×146 mm
Fixing centers a×b×c	134×122×7 mm
Drill hole Ø	7×11 mm
Mounting method	Key-hole mounting

Commercial data

country of origin	CZ
customs tariff number	85043180
EAN	4048879366847
eClass	27031302
Packaging unit	1

Sketch

Product may differ from Image